

## **SMART APPLY SPARE PARTS LIST**

### **GEN1 CONTROLLER BLACKBOX**

[6000037](#) GEN1 CONTROLLER BLACKBOX 13 NOZZLE

### **GEN2 CONTROLLER GREY BOX**

[1000065](#) GEN2 REMOTE POWER SWITCH  
[1000072](#) KIT, GEN2 GROUND CONNECTOR REPAIR  
[2000149](#) GEN2 GRAYBOX ASSEMBLY WITH 80 NOZZLE CONTROLLER  
[2000165](#) GEN2 GRAYBOX ASSEMBLY WITH 40 NOZZLE CONTROLLER  
[3300014](#) TABLET SHADE  
[6000088](#) GEN 2 CONTROLLER 40 NOZZLE (ONLY)  
[6000105](#) FUSE, 40A ANL BLADE TYPE  
[6000106](#) FUSE, 60A ANL BLADE TYPE  
[6000110](#) RELAY, SOLID STATE, 40A DC  
[6000131](#) ASSEMBLY, ANL BLADE TYPE FUSE HOLDER

### **LiDAR**

[6000047](#) LIDAR, 2D, 270°, LMS153-10100  
[6000087](#) LIDAR, REPLACEMENT LENS

### **RUGGON TABLET**

[1000069](#) RUGGON TABLET ACCESSARY  
[6000097](#) RUGGON TABLET ONLY  
[6000098](#) RUGGON TABLET GREEN CORD  
[6000099](#) RUGGON POWER CABLE  
[6000102](#) AC CHARGER WITH M8 CONNECTOR  
[6100112](#) RUGGON TABLET 12V CHARGER  
[6100123](#) HARNESS, LIDAR DATA, 5.0 METER, M12 MALE-FEMALE 4 POS D-CODED  
[7100513](#) RAM MOUNT "U" BOLT KIT  
[7100519](#) RAM, ASM, ARM DBL SOCKET, BASE ROUND, 1.50 BALL

### **SAMSUNG TABLET**

[6100093](#) 0.5 METER DATA CABLE BACK OF LIDAR  
[6100059](#) 5 METER DATA CABLE FROM ABOVE CABLE TO ETHERNET ADAPTER  
[6000073](#) ETHERNET ADAPTER  
[7100518](#) CIGARETTE CHARGER BLOCK  
[7100516](#) RAM MOUNT CRADLE CHARGER  
[7100539](#) RAM MOUNT CRADLE NON CHARGING

### **WIRING HARNESS**

[6000101](#) BATTERY 100 AMP BREAKER  
[6100058](#) GEN1 LIDAR POWER HARNESS  
[6100075](#) FOOT PEDAL SWITCH  
[6100077](#) 14' GEN1 NOZZLE EXTENSION HARNESS  
[6100110-5](#) GPS HARNESS

<a href="#">6100111-4</a>	4' TRACTOR BATTERY HARNESS
<a href="#">6100111-7</a>	7' TRACTOR BATTERY HARNESS
<a href="#">6100111-10</a>	10' TRACTOR BATTERY HARNESS
<a href="#">6100111-14</a>	14' TRACTOR BATTERY HARNESS
<a href="#">6100111-16</a>	16' TRACTOR BATTERY HARNESS
<a href="#">6100117-12</a>	12' NOZZLE EXTENSION HARNESS
<a href="#">6100117-14</a>	14' NOZZLE EXTENSION HARNESS
<a href="#">6100117-16</a>	16' NOZZLE EXTENSION HARNESS
<a href="#">6100117-18</a>	18' NOZZLE EXTENSION HARNESS
<a href="#">6100117-24</a>	24' NOZZLE EXTENSION HARNESS
<a href="#">6100127-2</a>	LIDAR POWER EXTENSION 2'
<a href="#">6100132</a>	FOOT PEDAL SWITCH EXTENSION 8'
<a href="#">6100134-2</a>	GPS HARNESS EXTENSION
<a href="#">6100136</a>	2 POS RING-O-FIRE AND TESTING HARNESS
<a href="#">6100129-8</a>	8' BATTERY HARNESS EXTENSION STRAIGHT CONNECTOR
<a href="#">6100185-8</a>	8' BATTERY HARNESS EXTENSION 90 DEGREE CONNECTOR

#### **LIQUID FILTERS**

<a href="#">4200202</a>	REPLACEMENT BANJO 80 MESH SCREEN
-------------------------	----------------------------------

#### **SOLENOID & BRASS PARTS**

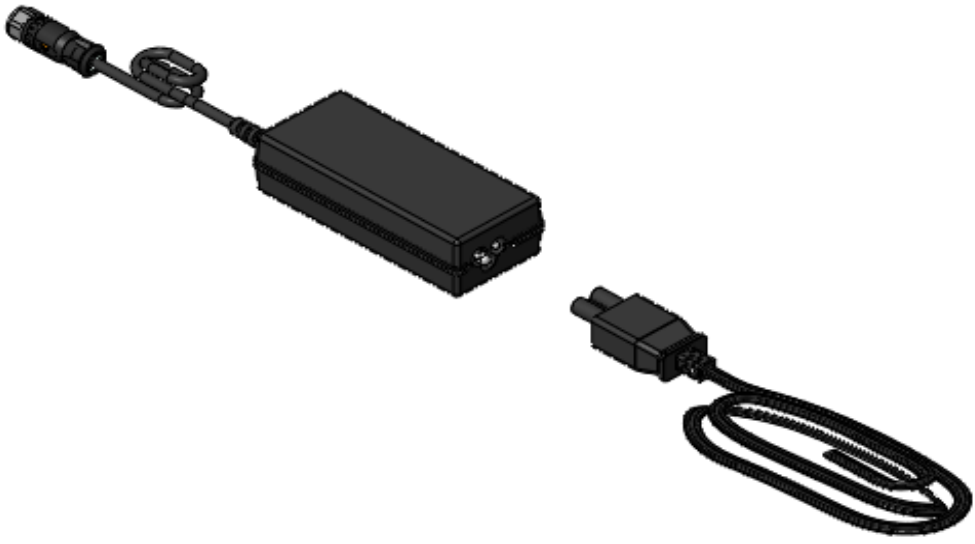
<a href="#">AA110-1</a>	1" NPT BRASS PRESSURE REGULATOR
<a href="#">1000073</a>	KIT, SOLENOID CONNECTOR REPAIR
<a href="#">1100258</a>	SOLENOID WRENCH
<a href="#">4100014</a>	SOLENOID STEM O-RING FOR #1
<a href="#">4100015</a>	SOLENOID STEM O-RING FOR #2
<a href="#">4100013</a>	O-RING TO VALVE BODY FOR #1 OR #2
<a href="#">4100020</a>	INTERNAL O-RING FOR BOTH #1 OR #2
<a href="#">4100021</a>	PLASTIC SOLENOID STEM NUT
<a href="#">4100022</a>	COMPLETE #1 SOLENOID WITH BRASS RING
<a href="#">4100023</a>	COMPLETE #2 SOLENOID WITH BRASS RING
<a href="#">4100016</a>	BRASS TEEJET BODY MACHINED OUT
<a href="#">4200324</a>	1/4" MNPT X 1/4" FBSPP ADAPTER
<a href="#">6000116</a>	#2 SOLENOID COMPLETE REPAIR KIT
<a href="#">6000130</a>	#1 SOLENOID COMPLETE REPAIR KIT

#### **BLOWER**

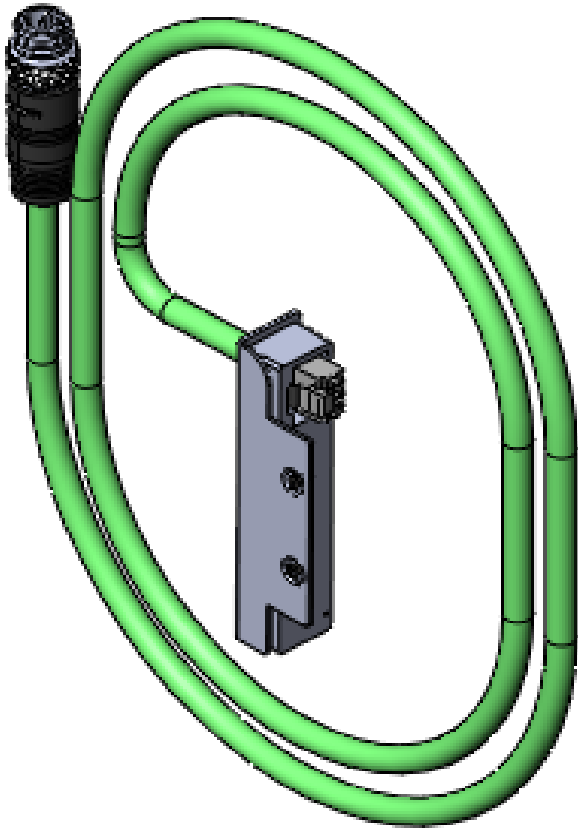
<a href="#">2000138</a>	SEAFLO LIDAR BLOWER WITH CONNECTOR
-------------------------	------------------------------------

#### **AIR FILTER**

<a href="#">P827653</a>	REPLACEMENT ELEMENT
<a href="#">P158914</a>	DONALSON VACUATOR VALVE



[BACK](#)



[BACK](#)



[BACK](#)



[BACK](#)



[BACK](#)

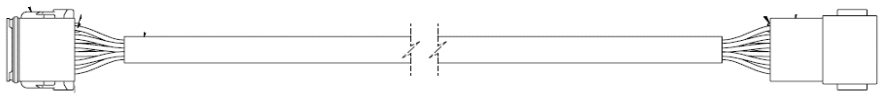


[BACK](#)





[BACK](#)

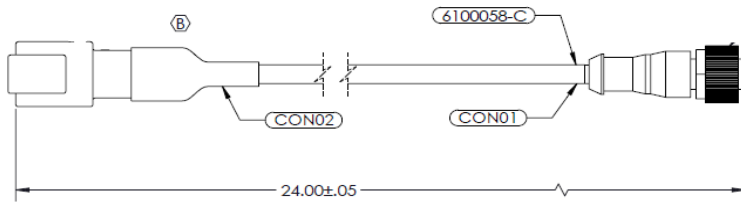


[BACK](#)



VIEW OF CON02

[BACK](#)



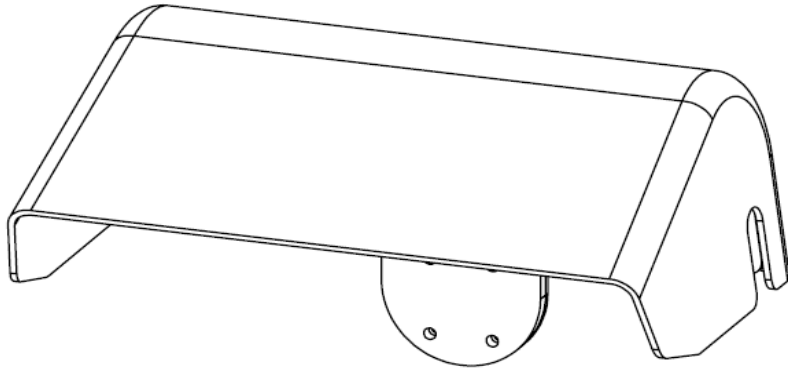


[BACK](#)



[BACK](#)





[BACK](#)

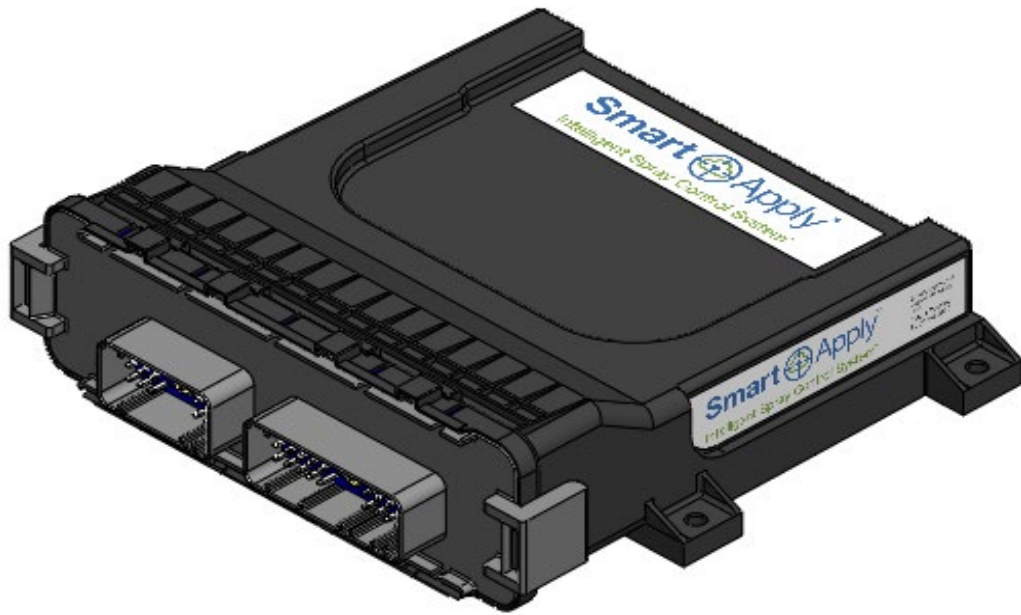


[BACK](#)



[BACK](#)





[BACK](#)

[CK](#)



[BACK](#)



[BACK](#)

[BACK](#)





[BACK](#)



[BACK](#)



[BACK](#)





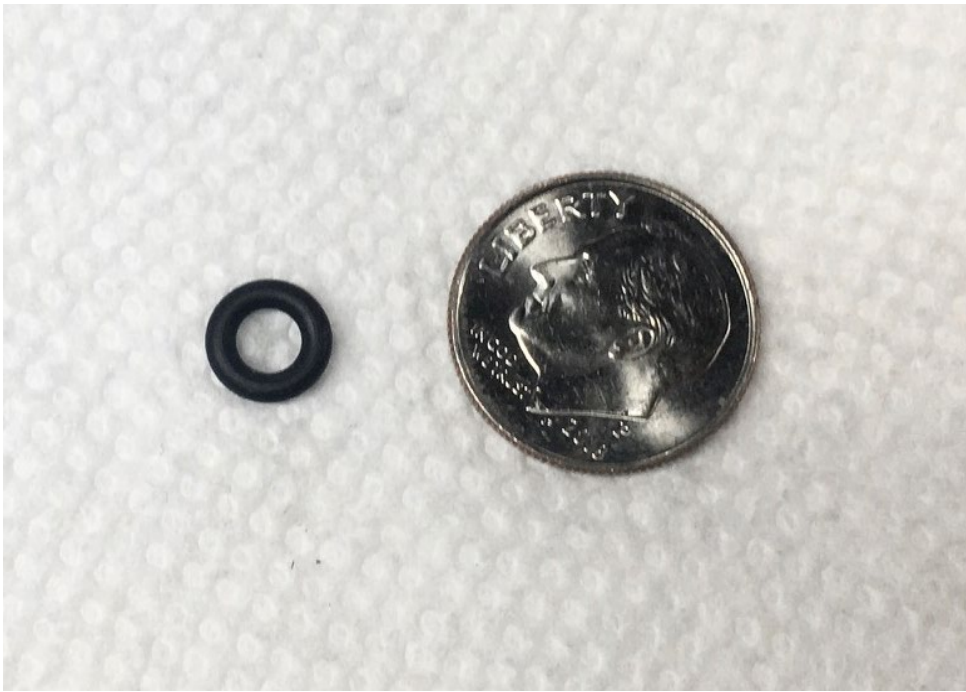
[BACK](#)



[BACK](#)

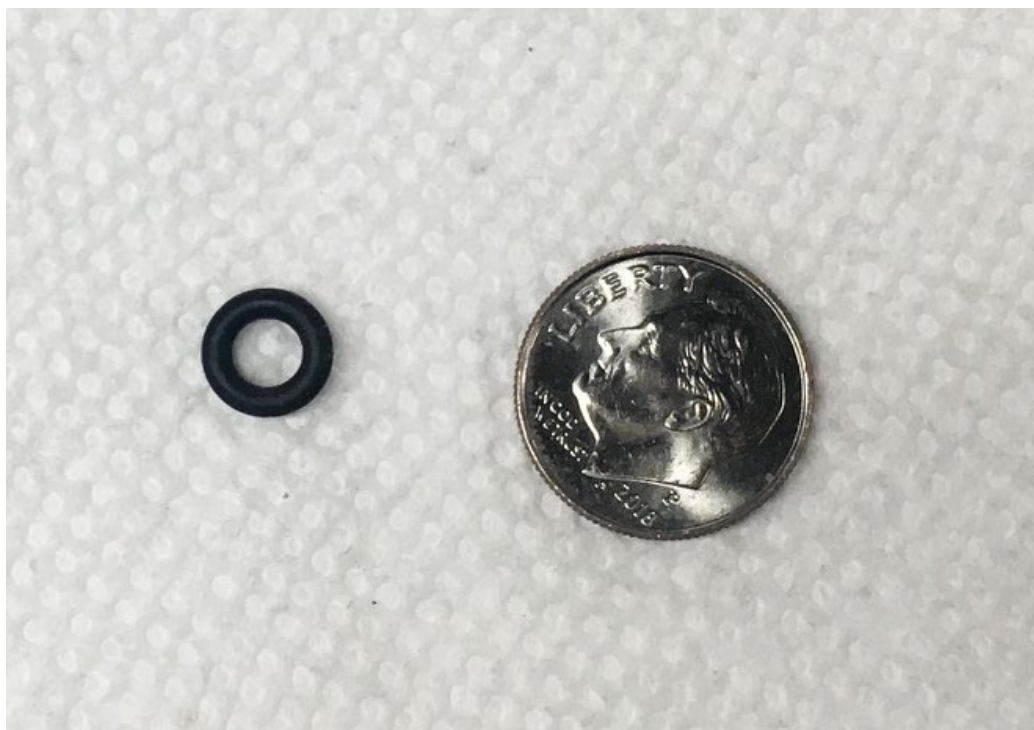


[BACK](#)



[BACK](#)

[BACK](#)



[BACK](#)





[BACK](#)

[BACK](#)



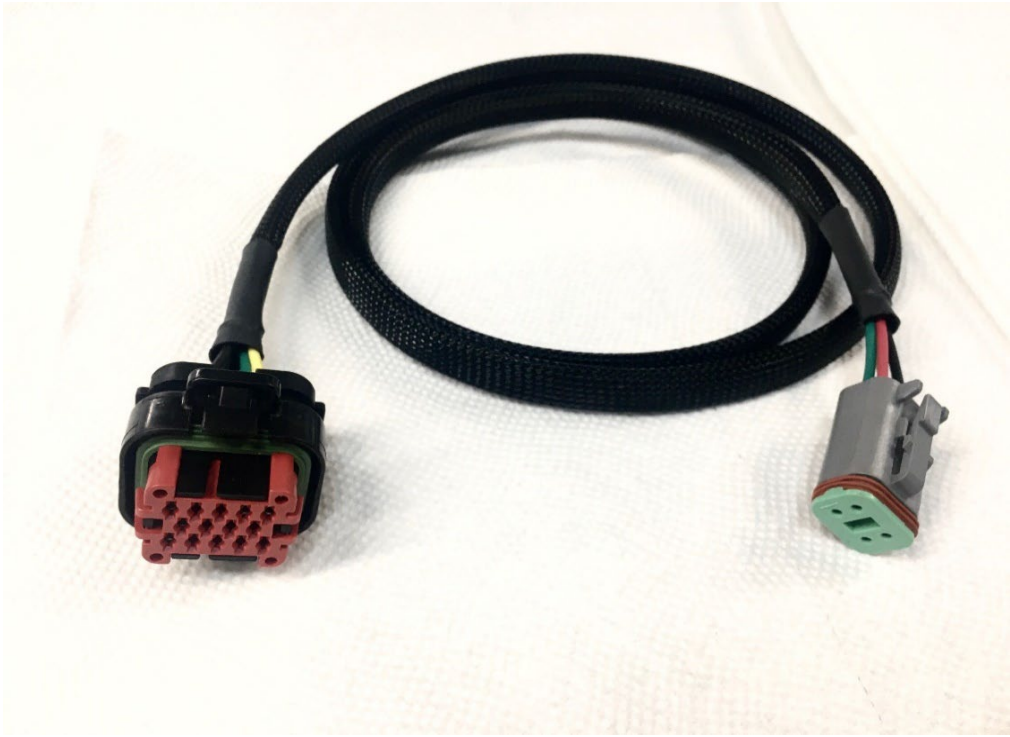




[BACK](#)



[BACK](#)



[BACK](#)



[BACK](#)



[BACK](#)

[BACK](#)



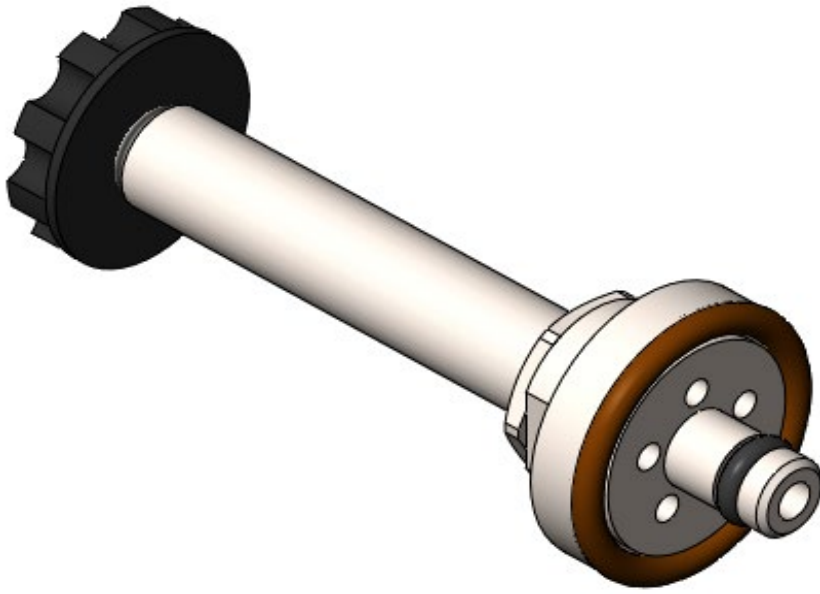


[BACK](#)

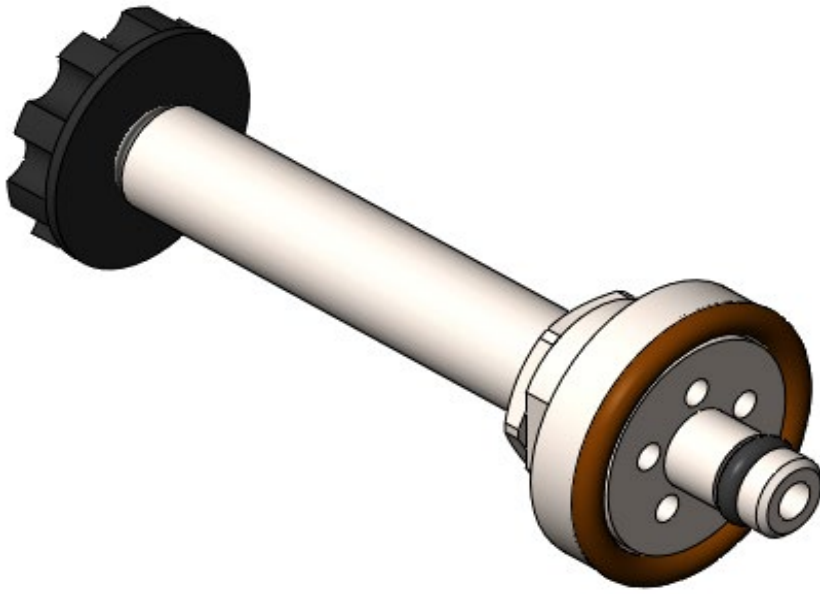


[BACK](#)





[BACK](#)



[BACK](#)



[BACK](#)



[BACK](#)



[BACK](#)



[BACK](#)

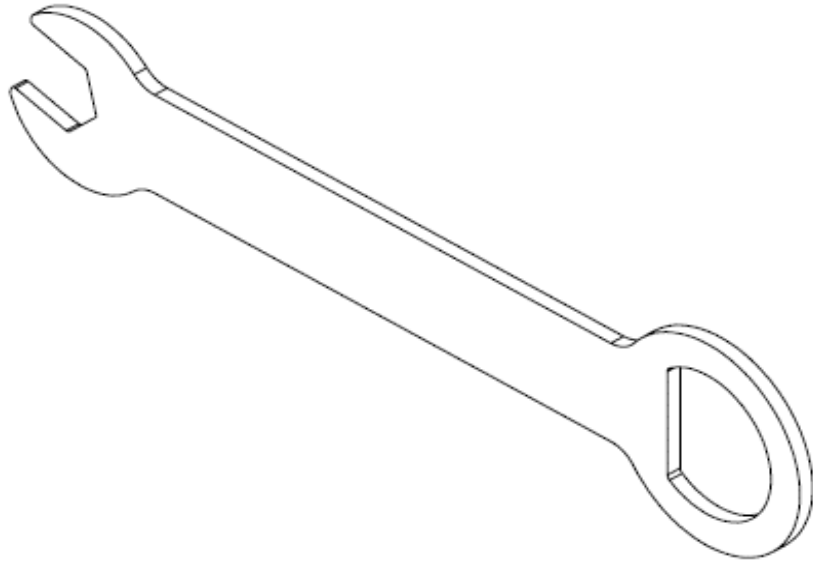
[BACK](#)





[BACK](#)





[BACK](#)



[BACK](#)



[BACK](#)



[BACK](#)



[BACK](#)



[BACK](#)





[BACK](#)



[BACK](#)





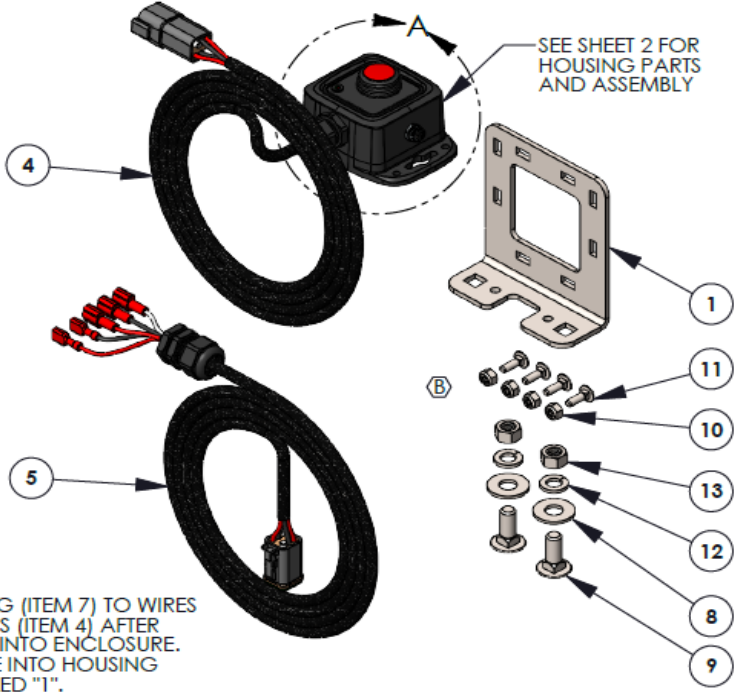
[BACK](#)



[BACK](#)

BACK

ITEM	PART NUMBER	QTY.	CHK	DESCRIPTION
1	1100351	1		BRKT, REMOTE POWER SWITCH MOUNTING
2	6000093	1		ENCLOSURE, REMOTE POWER SWITCH BOX, 2.63 X 2.63 X 1.63
3	6000109	1		SWITCH, PUSHBUTTON, POWER, LATCHING, FRONT MOUNT
4	6100103	1		HARNESS, REMOTE POWER SWITCH BOX
5	6100104	1		HARNESS, REMOTE POWER CONTROL BOX
6	6100108	1		HARNESS, REMOTE POWER SWITCH LED
7	6100109	1		HARNESS, REMOTE POWER SWITCH POWER OUTLET
8	7100460	2		WASHER, FLAT, .3750 X 0.064-0.104, USS, 316 STAINLESS
9	7100462	2		BOLT, CARRIAGE, .3750-16 X 1.000, 316 STAINLESS
10	7100468	4		NUT, HEX, NYLOCK, #10-24 X .2344, 316 STAINLESS
11	7100489	4		BOLT, CARRIAGE, #10-24 X 0.6250, 18-8 STAINLESS
12	7100520	2		WASHER, SPLIT, .385 X .094, 316 STAINLESS
13	7100521	2		NUT, HEX, .3750-16 X .3821, 316 STAINLESS
14	436400201	1		HOUSING, PLUG, 2 POS FOR PINS



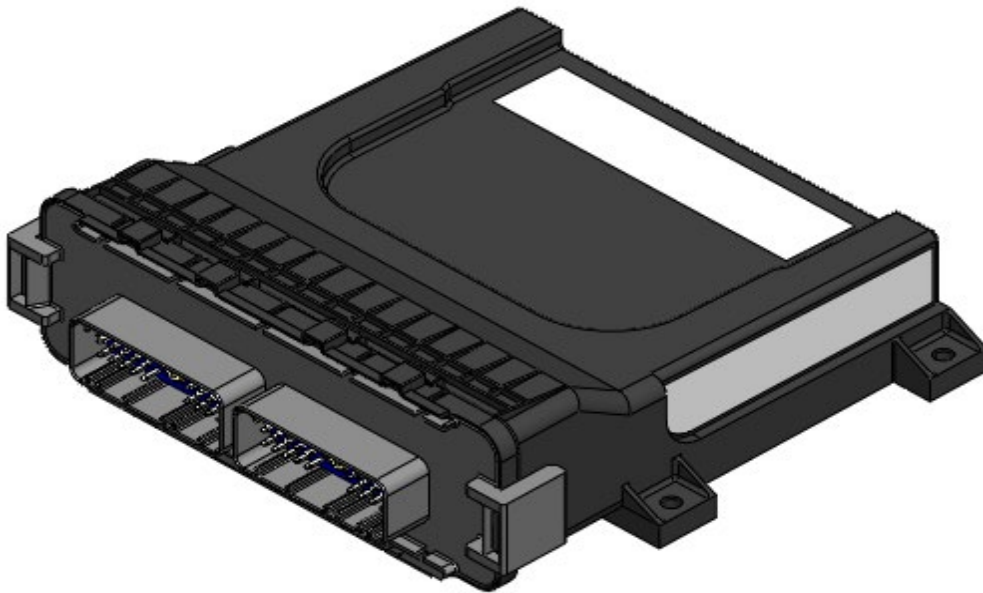
**NOTES:**

1. INSTALL HOUSING (ITEM 7) TO WIRES ON LED HARNESS (ITEM 4) AFTER INSTALLING LED INTO ENCLOSURE.
2. INSERT RED WIRE INTO HOUSING OPENING MARKED "1".
3. INSURE TERMINALS ARE ALIGNED TO HOUSING BEFORE FULLY INSERTING.

REVISION HISTORY			
REV.	DESCRIPTION	DATE	APPROVED
A	INITIAL RELEASE	9/19/2022	JDC
B	UPDATE DESIGN TO INCLUDE BRACKET & HARDWARE, ADD SHEET AND MOVE VIEW	3/27/2023	JDC

**KIT, GEN2 REMOTE POWER SWITCH**

<b>SMART GUIDED SYSTEMS, LLC</b> 1229 INDY PLACE, INDIANAPOLIS, IN 46214	<small>UNLESS OTHERWISE SPECIFIED, DIMENSIONS ARE IN INCHES, DRAWING INTERPRETATION PER ASME Y14.5-2009</small>		<small>FIRST ANGLE PROJECTION</small>	<small>WEIGHT</small> 1.46	<small>DWG NO</small> <b>1000065</b>	<small>REVISION</small> <b>B</b>	<small>SHEET</small> <b>1</b> of <b>3</b>
<small>THIS DRAWING AND THE INFORMATION EMBODIED HEREIN IS THE PROPERTY OF AND PROPRIETARY TO SMART GUIDED SYSTEMS LLC AND IS FOR THE SOLE USE OF THE RECIPIENT(S) AND MAY CONTAIN CONFIDENTIAL AND PRIVILEGED INFORMATION. ANY UNAUTHORIZED REVIEW, USE, DISCLOSURE OR DISTRIBUTION IS PROHIBITED. IF YOU ARE NOT THE INTENDED RECIPIENT(S), PLEASE CONTACT THE SENDER AND DESTROY ALL COPIES OF THE DOCUMENT(S). ALL RIGHTS RESERVED SMART GUIDED SYSTEMS LLC</small>							



[BACK](#)